

Interior Storage Products

Contents:

<i>Drawer Boxes</i>	<i>Page 1-5</i>
<i>Pull Out Tray Systems</i>	<i>Page 6-12</i>
<i>Other Interior Storage</i>	<i>Page 13-17</i>
<i>Wine Rack, Stemware and Plate rack</i>	<i>Page 17-19</i>

CUSTOM DRAWER BOXES

about dovetail drawer boxes and related options are found on the following pages.

- Dovetail drawer boxes are available fully assembled and can be ordered unfinished or finished; see finishing information contained in this section.
- Natural Birch, Hard Maple and Soft Maple drawer box options and accessories have a 6 day standard lead-time, and a 2 day code red expedite lead-time; add 2 days for finishing. All other published specie drawer box species, add 5 additional days.

5/8" Assembled Custom Dovetail Drawer Box Specifications

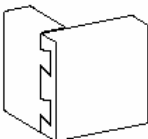
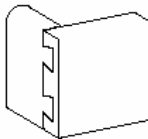
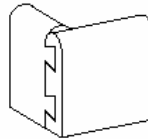
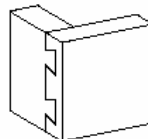
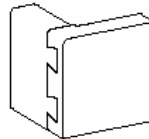
The following species are available for the 5/8" Custom Dovetail Drawer Box program:

- Available Species include:

Hard Maple	Soft Maple
Natural Birch	Hickory
Pine	Red Oak
White Oak	Alder
Cherry	Lyptus
Walnut	Quarter Sawn Red Oak
	Quarter Sawn White Oak.

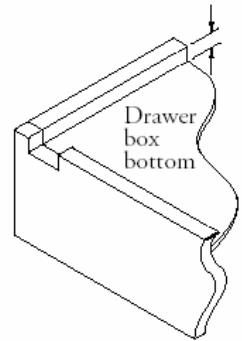
- Hard Maple and Soft Maple boxes are constructed with Maple veneer (wood composite core) bottom.
- Natural Birch boxes are constructed with Birch veneer face and sound back plywood bottom.
- All other published specie drawer boxes are constructed with a matching specie 1/4" plywood bottom.

Additional Options

Additional Options		
Bottom Thickness		
1/4"	Standard	See drawer box height charts
3/8"	Requires 1/8" to be added to the drawer box height	
No Bottom	Optional	
Bottom Reveal		
1/2"	Standard	
3/8"	Optional	
Finished with clear top coat, per box		
100 lineal inches or fewer per box		
Greater than 100 lineal inches per box		
Top Edge Profiles		
		
Standard eased edge 1/16" Radius	Eased edge front and back bull-nosed sides	Bull-nosed full radius edge Four sides
		
Machine edge Four sides	1/8" Routed edge All except outside front edge	

Reveal Detail

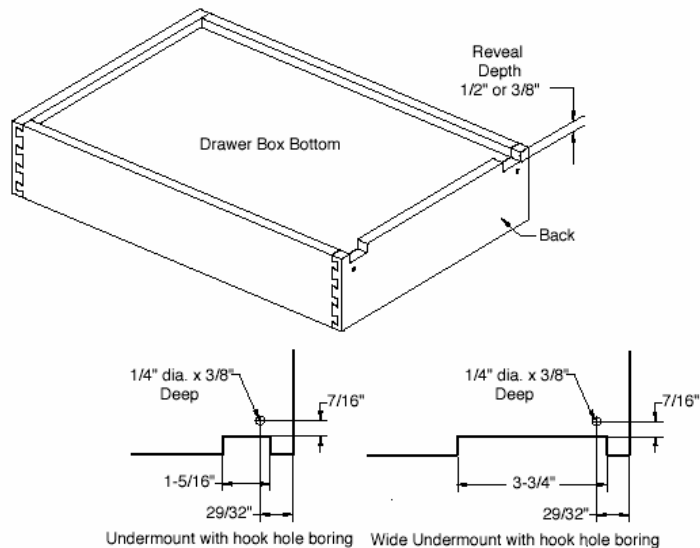
Reveal: 1/2" or 3/8"



Dovetail Drawer Box Options

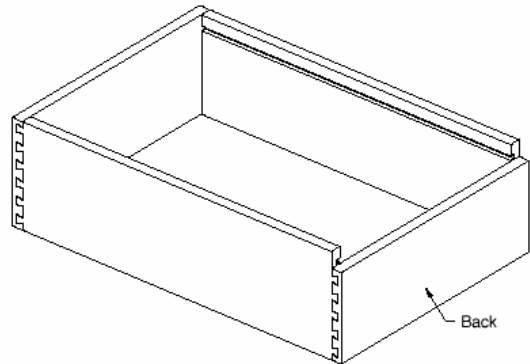
Undermount Notching Options

- Minimum drawer box width 6"
- Undermount notching only
- Undermount notching with hook hole boring (detail shown below)
- Wide undermount notching with hook hole boring (detail shown below)
(Entire back will be notched on boxes less than 9-3/4" wide).



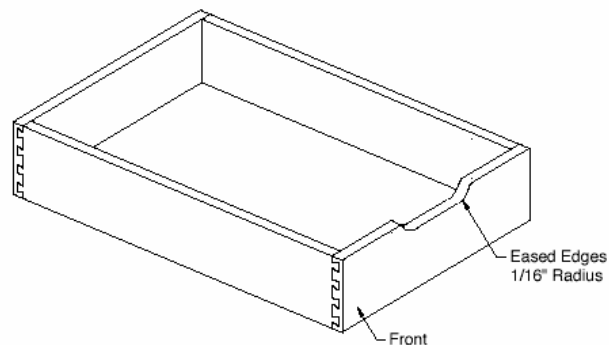
Bread Box Top Routing

- Designed for 1/8" or 1/4" thick lids
- 9/32" deep groove on sides only
- 1/8" rout is 5/32" wide
- 1/4" rout is 9/32" wide
- Minimum box height 4"
- **Lid not included.**



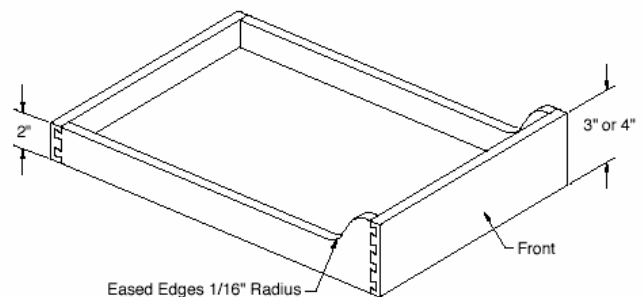
Hand Pull

- Minimum box width is 9"
- Hand pull is 5-1/4" wide and centered on front of drawer box



Cut-Down Sides

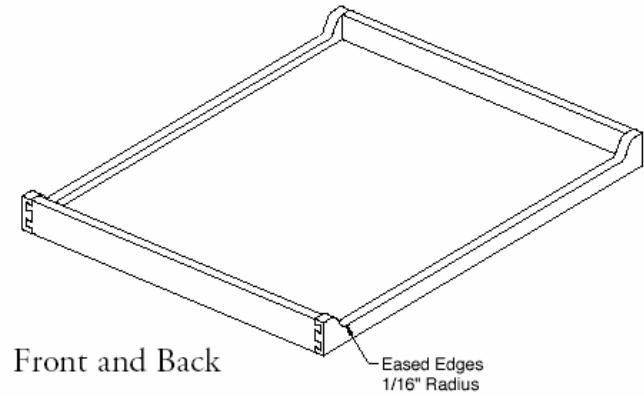
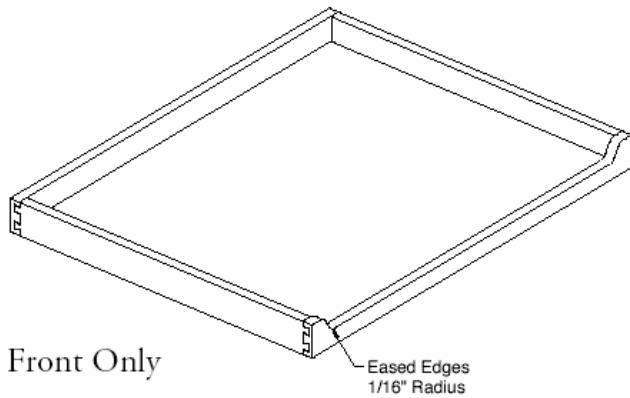
- Available for 3" or 4" high drawer boxes only
- Add 1/8" to box height dimensions when ordering 3/8" bottoms
- Rear box height 2"



Dovetail Drawer Box Options (continued)

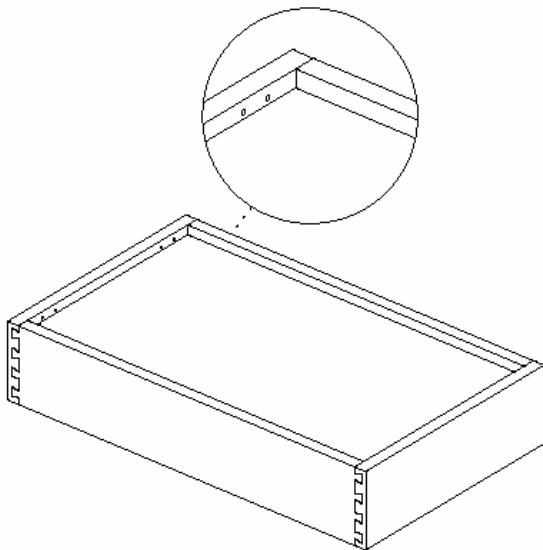
Keyboard Tray Option

- Minimum box width 12"
- Minimum box height 2"
- Maximum box height 3-1/8"

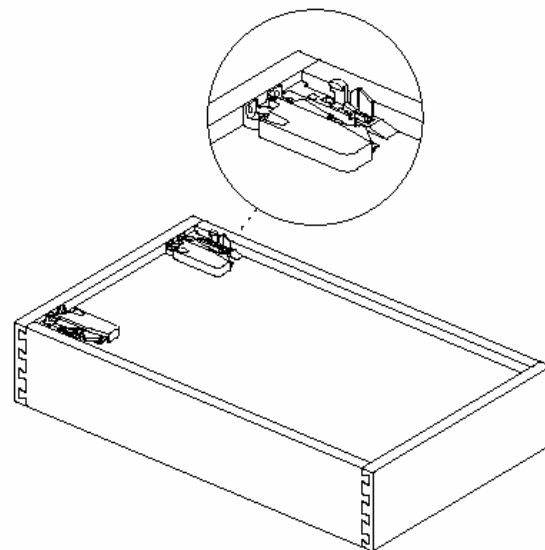


Blum TANDEM Clip Options

- Pre-drilling and installation options are for Blum TANDEM drawer hardware.
- Minimum box width 5-1/2"
- 1/2" reveal only
- Undermount notching with hook hole boring are not standard and must be specified.



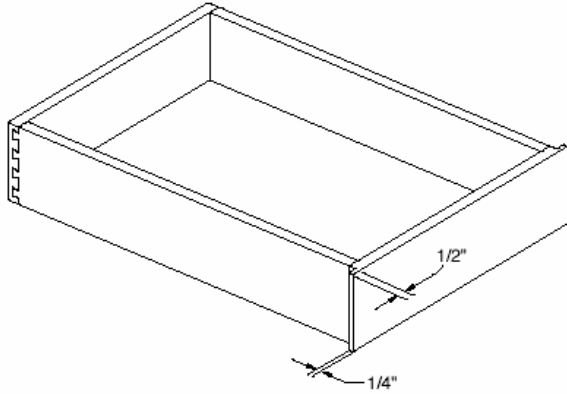
Blum TANDEM Clips Pre-drilled



Blum TANDEM Clips Installed

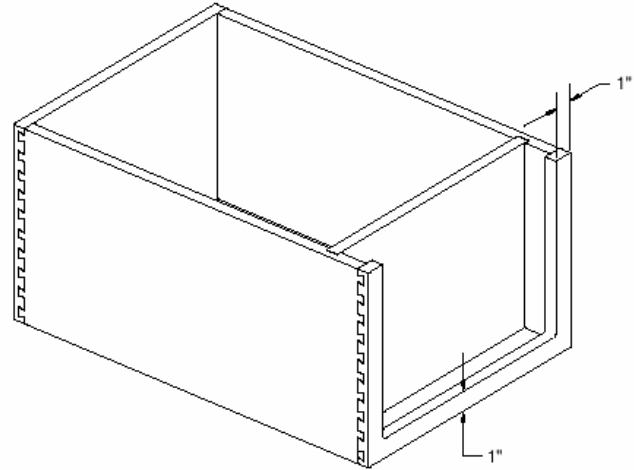
Dovetail Drawer Box Options (continued)

Roll Out Drawer Front Option



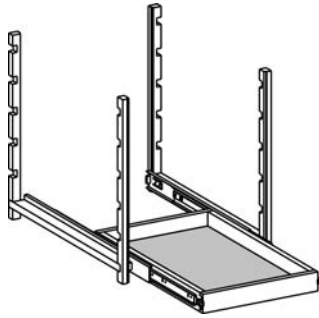
- Drawer box front is 1" wider than the overall ordered box width
- Minimum box width is 8"

Visible Storage Unit Routing



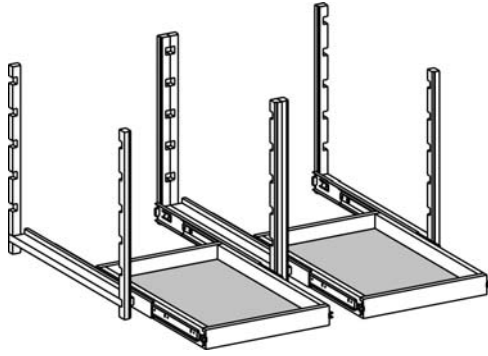
- Minimum box width is 12"
- Minimum box height is 7"
- Maximum box width is 24"
- Removable divider included. Located 1-1/2" behind front of drawer box.

Pull Out Trays – Single Tray



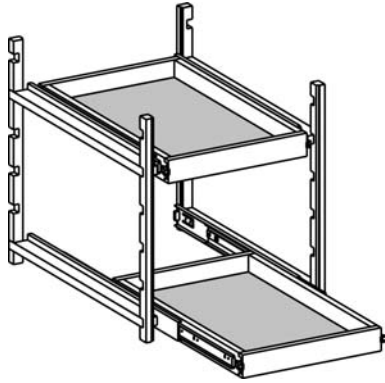
Cabinet Code	Cabinet Notes and Information
24" Deep	<ul style="list-style-type: none"> • 4 sided wood dovetailed drawer boxes (same specie as drawer boxes on cabinet order unless specified otherwise) • Full extension ball bearing glides • Corner cleats can be trimmed in size if using in conjunction with a shelf
POT11524	
POT11824	
POT12124	
POT12424	
24" Deep w/ Butt Doors	<p><u>UNDERSTANDING POT CABINET CODES</u> POT / Number of trays (1, 2 or T) / Cabinet Width / Cabinet Depth / Butt Door</p> <p>Example #1 : POT 2 36 24 BD = POT kit containing 2 trays for a 36 wide cabinet that measures 24 deep and has Butt Doors.</p> <p>Example #2: POTT2424 = POT kit containing 4 trays for the bottom opening of a tall cabinet which measures 24 wide and 24 deep.</p> <p>Example #3: POT14824 = POT kit containing 1 tray on each side (2 trays total - one for each opening), for a cabinet that is 48 wide and 24 deep</p>
POT12724BD	
POT13024BD	
POT13324BD	
POT13624BD	
POT13924BD	
POT14224BD	
21" Deep	
POT11521	
POT11821	
POT12121	
POT12421	
21" Deep w/ Butt Doors	
POT12721BD	
POT13021BD	
POT13621BD	

Pull Out Trays – Single Tray – Side by Side Openings



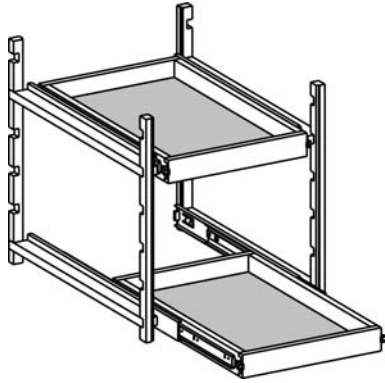
Cabinet Code	Cabinet Notes and Information
24" Deep	<ul style="list-style-type: none"> • 4 sided wood dovetailed drawer boxes (same specie as drawer boxes on cabinet order unless specified otherwise) • Full extension ball bearing glides • Corner cleats can be trimmed in size if using in conjunction with a shelf <p><u>UNDERSTANDING POT CABINET CODES</u> POT / Number of trays (1, 2 or T) / Cabinet Width / Cabinet Depth / Butt Door</p> <p>Example #1 : POT 2 36 24 BD = POT kit containing 2 trays for a 36 wide cabinet that measures 24 deep and has Butt Doors.</p> <p>Example #2: POTT2424 = POT kit containing 4 trays for the bottom opening of a tall cabinet which measures 24 wide and 24 deep.</p> <p>Example #3: POT14824 = POT kit containing 1 tray on each side (2 trays total - one for each opening), for a cabinet that is 48 wide and 24 deep</p>
POT13024	
POT13324	
POT13624	
POT13924	
POT14224	
POT14524	
POT14824	
21" Deep	
POT13021	
POT13621	

Pull Out Trays – Double Trays - Stacked



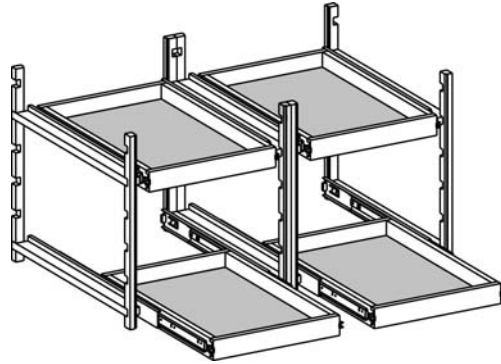
Cabinet Code	Cabinet Notes and Information
24" Deep	<ul style="list-style-type: none"> • 4 sided wood dovetailed drawer boxes (same specie as drawer boxes on cabinet order unless specified otherwise) • Full extension ball bearing glides • Corner cleats can be trimmed in size if using in conjunction with a shelf
POT21524	
POT21824	
POT22124	
POT22424	
24" Deep w/ Butt Doors	<p><u>UNDERSTANDING POT CABINET CODES</u> POT / Number of trays (1, 2 or T) / Cabinet Width / Cabinet Depth / Butt Door</p> <p>Example #1 : POT 2 36 24 BD = POT kit containing 2 trays for a 36 wide cabinet that measures 24 deep and has Butt Doors.</p> <p>Example #2: POTT2424 = POT kit containing 4 trays for the bottom opening of a tall cabinet which measures 24 wide and 24 deep.</p> <p>Example #3: POT14824 = POT kit containing 1 tray on each side (2 trays total - one for each opening), for a cabinet that is 48 wide and 24 deep</p>
POT22724BD	
POT23024BD	
POT23324BD	
POT23624BD	
POT23924BD	
POT24224BD	
21" Deep	
POT21521	
POT21821	
POT22121	
POT22421	
21" Deep w/ Butt Doors	
POT22721BD	
POT23021BD	
POT23621BD	

Pull Out Trays – Double Trays - Stacked



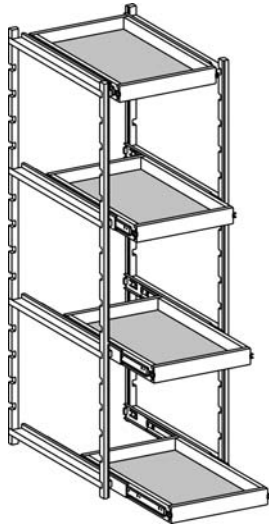
Cabinet Code	Cabinet Notes and Information
24" Deep	<ul style="list-style-type: none"> • 4 sided wood dovetailed drawer boxes (same specie as drawer boxes on cabinet order unless specified otherwise) • Full extension ball bearing glides • Corner cleats can be trimmed in size if using in conjunction with a shelf
POT21524	
POT21824	
POT22124	
POT22424	
24" Deep w/ Butt Doors	<p><u>UNDERSTANDING POT CABINET CODES</u> POT / Number of trays (1, 2 or T) / Cabinet Width / Cabinet Depth / Butt Door</p> <p>Example #1 : POT 2 36 24 BD = POT kit containing 2 trays for a 36 wide cabinet that measures 24 deep and has Butt Doors.</p> <p>Example #2: POTT2424 = POT kit containing 4 trays for the bottom opening of a tall cabinet which measures 24 wide and 24 deep.</p> <p>Example #3: POT14824 = POT kit containing 1 tray on each side (2 trays total - one for each opening), for a cabinet that is 48 wide and 24 deep</p>
POT22724BD	
POT23024BD	
POT23324BD	
POT23624BD	
POT23924BD	
POT24224BD	
21" Deep	
POT21521	
POT21821	
POT22121	
POT22421	
21" Deep w/ Butt Doors	
POT22721BD	
POT23021BD	
POT23621BD	

Pull Out Trays – Double Tray – Stacked - Side by Side Openings



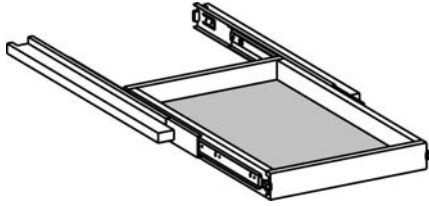
Cabinet Code	Cabinet Notes and Information
24" Deep	<ul style="list-style-type: none"> • 4 sided wood dovetailed drawer boxes (same specie as drawer boxes on cabinet order unless specified otherwise) • Full extension ball bearing glides • Corner cleats can be trimmed in size if using in conjunction with a shelf <p><u>UNDERSTANDING POT CABINET CODES</u> POT / Number of trays (1, 2 or T) / Cabinet Width / Cabinet Depth / Butt Door</p> <p>Example #1 : POT 2 36 24 BD = POT kit containing 2 trays for a 36 wide cabinet that measures 24 deep and has Butt Doors.</p> <p>Example #2: POTT2424 = POT kit containing 4 trays for the bottom opening of a tall cabinet which measures 24 wide and 24 deep.</p> <p>Example #3: POT14824 = POT kit containing 1 tray on each side (2 trays total - one for each opening), for a cabinet that is 48 wide and 24 deep</p>
POT23024	
POT23324	
POT23624	
POT23924	
POT24224	
POT24524	
POT24824	
21" Deep	
POT23021	
POT23621	

Pull Out Trays – Tall



Cabinet Code	Cabinet Notes and Information
24" Deep	<ul style="list-style-type: none"> • 4 sided wood dovetailed drawer boxes (same specie as drawer boxes on cabinet order unless specified otherwise) • Full extension ball bearing glides • Corner cleats can be trimmed in size if using in conjunction with a shelf
POTT1524	
POTT1824	
POTT2124	
POTT2424	
24" Deep w/ Butt Doors	<p><u>UNDERSTANDING POT CABINET CODES</u> POT / Number of trays (1, 2 or T) / Cabinet Width / Cabinet Depth / Butt Door</p> <p>Example #1 : POT 2 36 24 BD = POT kit containing 2 trays for a 36 wide cabinet that measures 24 deep and has Butt Doors.</p> <p>Example #2: POTT2424 = POT kit containing 4 trays for the bottom opening of a tall cabinet which measures 24 wide and 24 deep.</p> <p>Example #3: POT14824 = POT kit containing 1 tray on each side (2 trays total - one for each opening), for a cabinet that is 48 wide and 24 deep</p>
POTT2724BD	
POTT3024BD	
POTT3324BD	
POTT3624BD	
21" Deep	
POTT1821	
POTT2121	
POTT2421	

Pull Out Trays – Single Drawer



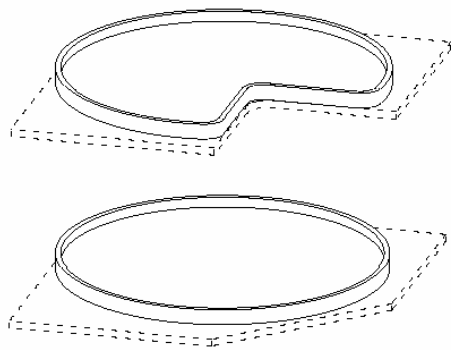
Cabinet Code	Cabinet Notes and Information
24" Deep	<ul style="list-style-type: none"> • 4 sided wood dovetailed drawer boxes (same specie as drawer boxes on cabinet order unless specified otherwise) • Full extension ball bearing glides • Use to add additional trays to standard POT systems <p><u>UNDERSTANDING POT CABINET CODES</u> POT / Number of trays (1, 2 or T) / Cabinet Width / Cabinet Depth / Butt Door</p> <p>Example #1 : POT 2 36 24 BD = POT kit containing 2 trays for a 36 wide cabinet that measures 24 deep and has Butt Doors.</p> <p>Example #2: POTT2424 = POT kit containing 4 trays for the bottom opening of a tall cabinet which measures 24 wide and 24 deep.</p> <p>Example #3: POT14824 = POT kit containing 1 tray on each side (2 trays total - one for each opening), for a cabinet that is 48 wide and 24 deep</p>
POTS1524	
POTS1824	
POTS1824	
POTS2424	
POTS3024	
POTS3324	
POTS3624	
POTS3924	
POTS4224	
POTS4524	
POTS4824	
24" Deep w/ Butt Doors	
POTS2724BD	
POTS3024BD	
POTS3324BD	
POTS3624BD	
21" Deep	
POTS1521	
POTS1821	
POTS2121	
POTS2421	
POTS3021	
POTS3621	
21" Deep w/ Butt Doors	
POTS2721BD	
POTS3021BD	
POTS3621BD	

Trash Can Pull Out



Cabinet Code	Cabinet Notes and Information
4WCTM-15DM2 4WCTM-18DM2	<ul style="list-style-type: none"> • Made to fit 15" (27 Double quart cans) or 18" (double 35 quart cans) standard B1834.5 cabinets • Door mount kit and all hardware is included • Shipped separately from secondary supplier. Both 18" and 15" units are \$180 (shipping included). These items will be quoted separate from you RTA cabinet parts.

Lazy Susan Wood Trays



Cabinet Code	Cabinet Notes and Information
2100050A – 32" Kidney 2100051A – 32" Full Round 2100052A – 28" Kidney 2100053A – 18" Full Round	<ul style="list-style-type: none"> • Use 2100050A for 36" Base Lazy Susan cabinets • Use 2100051A for 36" base diagonal corner cabinets • Use 2100052A for 33" Base Lazy Susan cabinets • Use 2100053A for 30" Base Lazy Susan cabinets and wall diagonal corner cabinets. • All maple construction • Use ball bearing spinners • Mount to standard shelf shipped with your cabinet

Filler Pull Outs



Base / Vanity Pull Out



Base / Vanity Pull Out

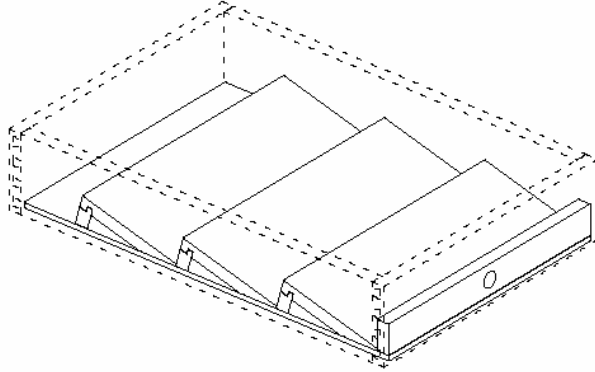


Unit Sandwiches between cabinets

- Designed to fit between cabinets and allow access from both sides
- Fully assembled and come with full install instructions
- Wall and Base units feature adjustable shelves with chrome rails and full extension ball bearing glides
- Vanity units feature plastic accessory trays and shelf rails
- Pre-finished all wood construction
- Front fascia panel and any desired on-lay items are not included.

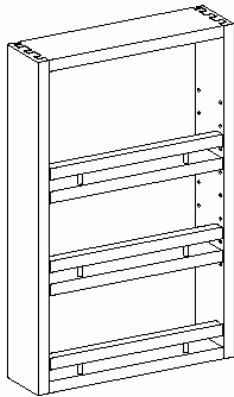
Cabinet Code	Description
2100750A	3" Base pull out storage unit
2100751A	6" Base pull out storage unit
2100752A	3" Wall pull out storage unit – 30" high
2100753A	6" Wall pull out storage unit – 30" high
2100754A	3" Wall pull out storage unit – 36" high
2100755A	6" Wall pull out storage unit – 36" high
2100756A	3" Wall pull out storage unit – 42" high
2100757A	6" Wall pull out storage unit – 42" high
2100758A	3" Vanity pull out storage unit – vanity height
2100759A	6" Vanity pull out storage unit – vanity height
2100760A	3" Vanity pull out storage unit – Base height
2100761A	6" Vanity pull out storage unit – Base height

Spice Tray insert



Available Species	Cabinet Notes and Information
Natural Birch Hard Maple	<ul style="list-style-type: none"> • Can be sized to fit a specific drawer box or ordered separately. If ordering separately, specify width and depth • Spice rests are 5-1/4" wide and 1-1/2" high • Minimum insert size = 7-1/2 W x 17 D • Maximum insert size = 32 W x 22 D

Spice Storage Units

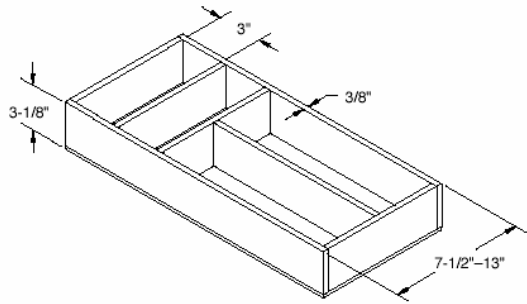


Cabinet Notes and Information

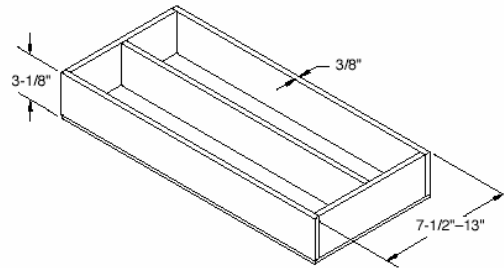
- Available in Birch or Maple (Maple incurs and upcharge)
- Hangs on back of cabinet door
- Dovetailed construction with 1/4" plywood back
- Installation hardware (screws) not included.
- Recommend extra hinges on door. Must specify this on order!
- Available size range – 18-36" high, 8-21" wide
- Depth of unit is 3-1/8 fixed
- When ordering, consider clearances to make sure your door will shut with the unit attached. We recommend ordering the unit 3" narrower than the door it is being mounted on.
- Consider any conflict between the unit and your shelves when the unit is closed. When used on wall cabinets (or any cabinet with full depth shelves), client will need to trim the shelves and reposition self supports.

Cutlery Dividers

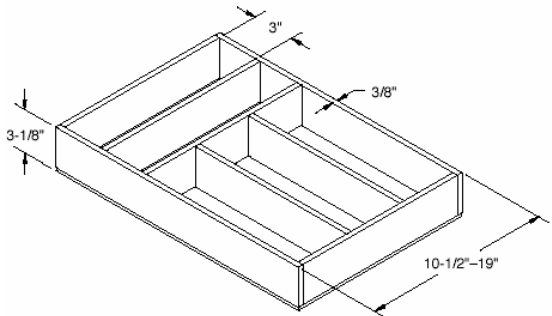
Design A



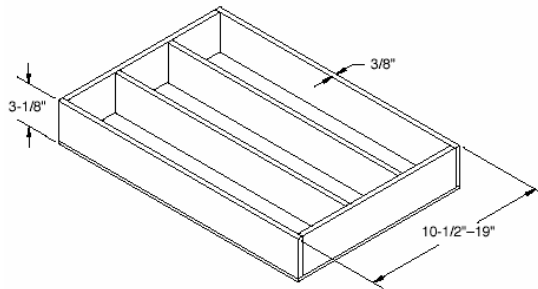
Design E



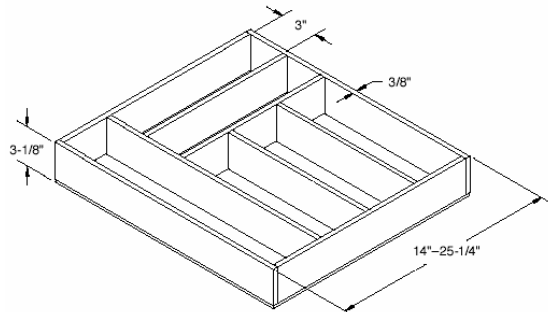
Design B



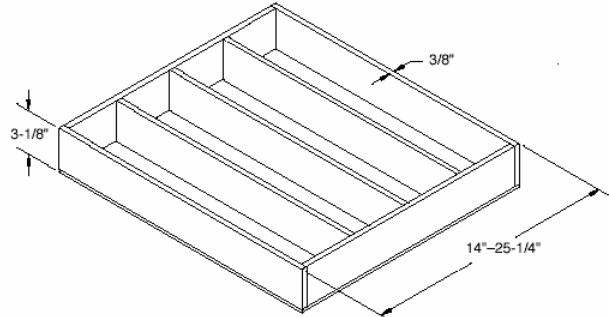
Design F



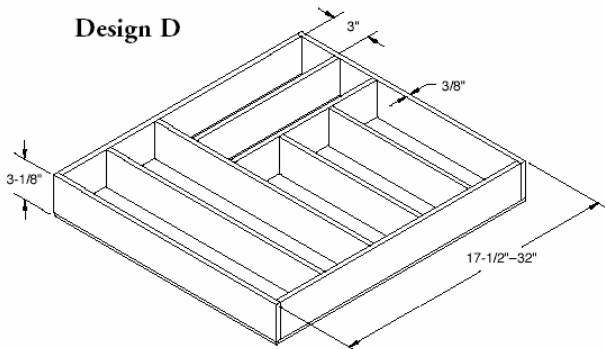
Design C



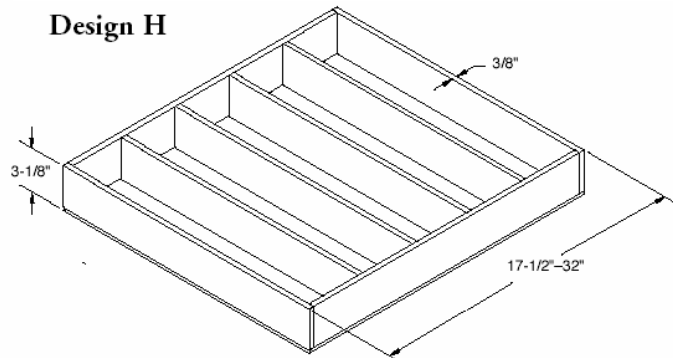
Design G



Design D



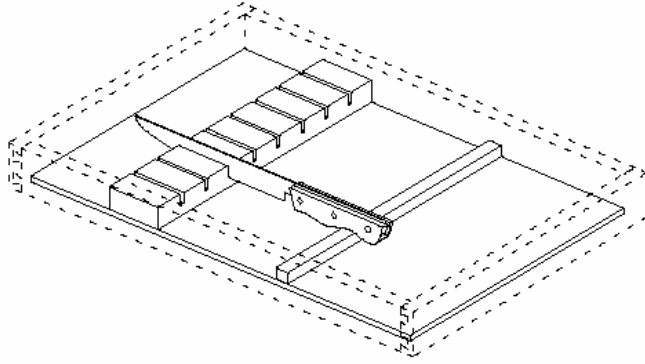
Design H



Cabinet Notes and Information

- Available in Birch or Maple (upcharge for Maple)
- Specify design in Special Instructions section of RTA Cabinet order form

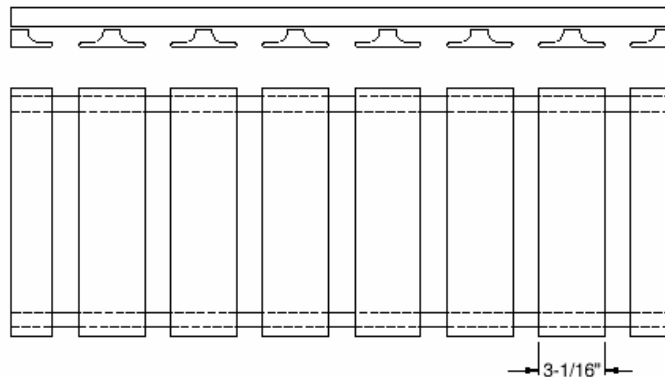
Knife Block Insert



Cabinet Notes and Information

- Can be sized to fit a specific drawer box or ordered separately. If ordering separately, specify width and depth
- $\frac{1}{4}$ " between slots
- Minimum insert size = 7-1/2" W x 16" D
- Maximum insert size = 21" W x 22" D

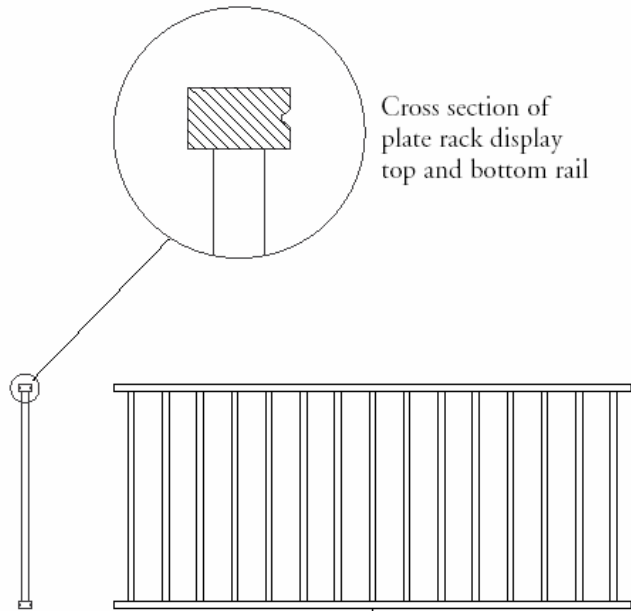
Stemware Rack



Cabinet Notes and Information

- 30" (7 slots) or 36" (8 slots) width.
- Spacing between slats:
 - 30" stemware holder – 1-1/8"
 - 36" stemware holder – 1-3/8"
- Depth 11-1/4".
- Thickness 1-1/2".
- Constructed of solid wood.
- Accommodates most stemware styles.

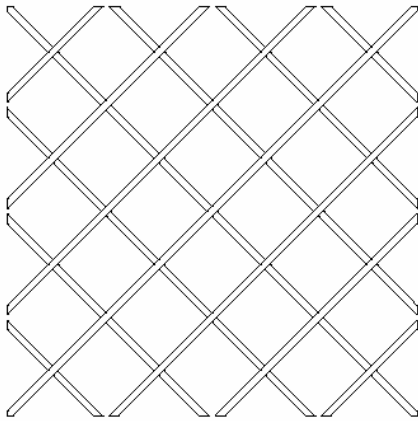
Plate Rack



Cabinet Notes and Information

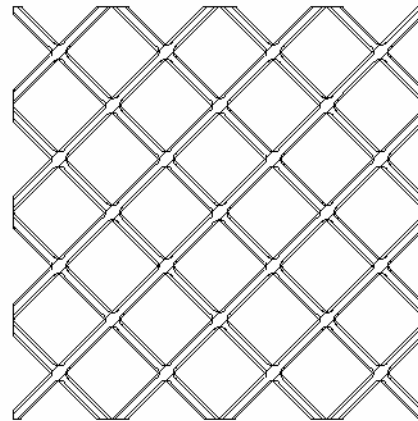
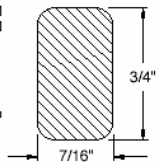
- Sold in pairs.
- 30" or 36" width.
- Overall height 13-1/16".
- Thickness 3/4".
- Constructed with 3/8" same specie dowels, 2" on center.
- Removable center dowel for ease of cleaning.

Wine Rack



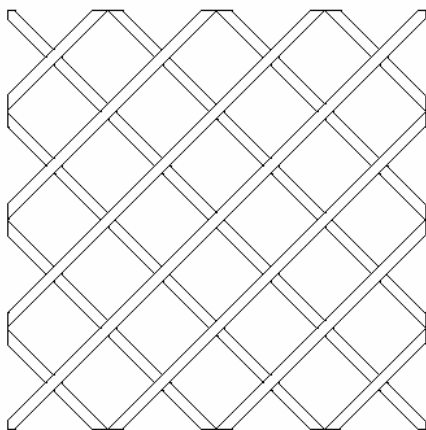
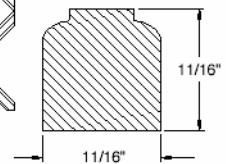
Standard

Standard cross section



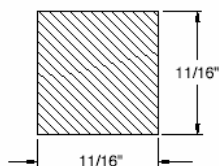
Deluxe

Deluxe cross section



Square

Square cross section



Model	Size
Standard	17" x 36"
	24" x 30"
	24" x 43"
Square	17" x 36"
	24" x 30"
	24" x 43"
Deluxe	17" x 36"
	24" x 30"
	24" x 43"

Cabinet Notes and Information

- Sold individually (specify two pieces if pair is desired).
- Trimmable in length and width.
- Standard rack bottle openings are 4" x 4".
- Square and Deluxe bottle openings are 4-1/4" x 4-1/4".
- Square and Deluxe wine racks can be used to make a pair.